

## INSTALLATION

### !CAUTION !

• *This product is not intended for life or safety applications*

Severe injury or death can result from electrical shock during contact with high voltage conductors or related equipment. Disconnect and lock-out all power sources during installation. Applications shown are suggested means of installing relays, but it is the responsibility of the installer to ensure that the installation is in compliance with all national and local codes. Installation should be attempted only by individuals familiar with codes, standards, and proper safety procedures for high-voltage installations. Do not rely on status indications of device exclusively to determine if power is present in conductor.

Ensure load and coil source are shut off and locked out before any installation

- Using the threaded nipple connect the V200L to the desired enclosure through a knock out.
- Secure with the conduit nut provided.
- Connect Coil:
  - Choose the coil common lead (White with Yellow Stripe) and connect it to the (-) source termination point.
  - Choose either the low (10-30VAC/DC White w/blue stripe) or high (208-277VAC White w/brown stripe) voltage lead whichever fits your application and connect it to the (+) source termination point.\*
- Connect Relay Contacts:
  - Choose the Relay Common Wire (Yellow) and connect to switched load.
  - Choose the Relay N.O. (Orange) and/or\* N.C. (Blue) lead and connect to switched load.
- Secure your enclosure and reconnect power.

\*If any wires are not terminated they must be isolated or insulated, i.e. wire nut.

## SPECIFICATIONS

### General

Operating Temp. .... -34° to 60°C  
 Operating Humidity .... 0-95% non condensing  
 Expected Relay Life ..... 10 million cycles min. mechanical  
 Relay Status ..... LED ON=energized  
 Dimensions ..... 2.92" (L)X1.80" (W)X1.58"  
 (H) 1/2" NPT nipple

### CONTACT RATINGS

Resistive.....10A(r)@277VAC, 28VDC  
 Motor..... 120VAC, 1/3HP N.O. & 1/6HP N.C.  
 240VAC, 1/3HP N.O. & 1/6HP N.C.  
 277VAC, 1/4HP N.O. & 1/8HP N.C.  
 Pilot Duty... 277VAC, 1.7A 480VA N.O.  
 Ballast.....277VAC, 1.7A 480VA  
 Tungsten.... 120VAC, TV3 (3A) N.O. &  
 TV2 (2A) N.C.

## Installation Instructions Victory 200L SPDT Enclosed Relay

**VERIS INDUSTRIES**

PORTLAND, OREGON USA

Toll Free in USA 1.800.354.8556

Tel USA 1.503.598.4564

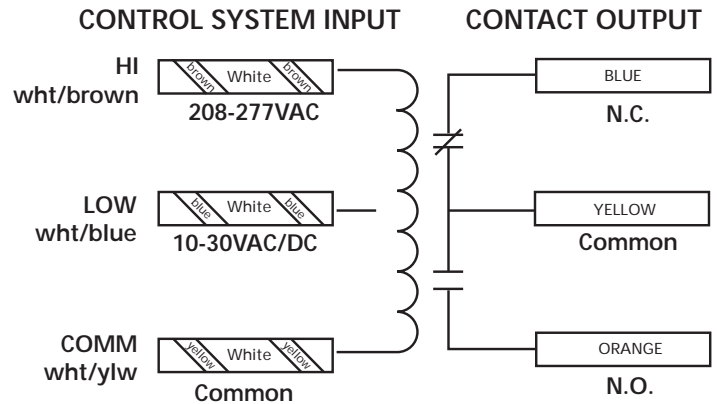
FAX USA 1.503.598.4664

http://www.veris.com

email: sales@veris.com

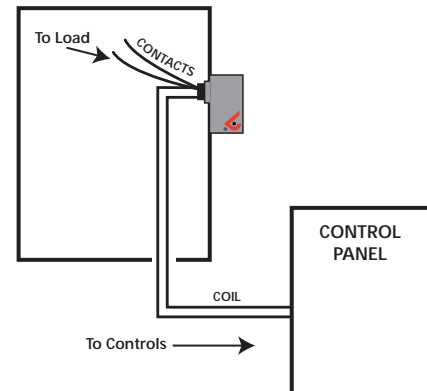


## WIRE COLORS

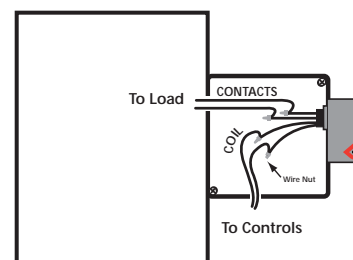


## WIRING EXAMPLES

Nipple Mount Directly to a Panel



Nipple Mount to any 2X or 4X Box



\*Any unused wires must be isolated, i.e. wire nut.